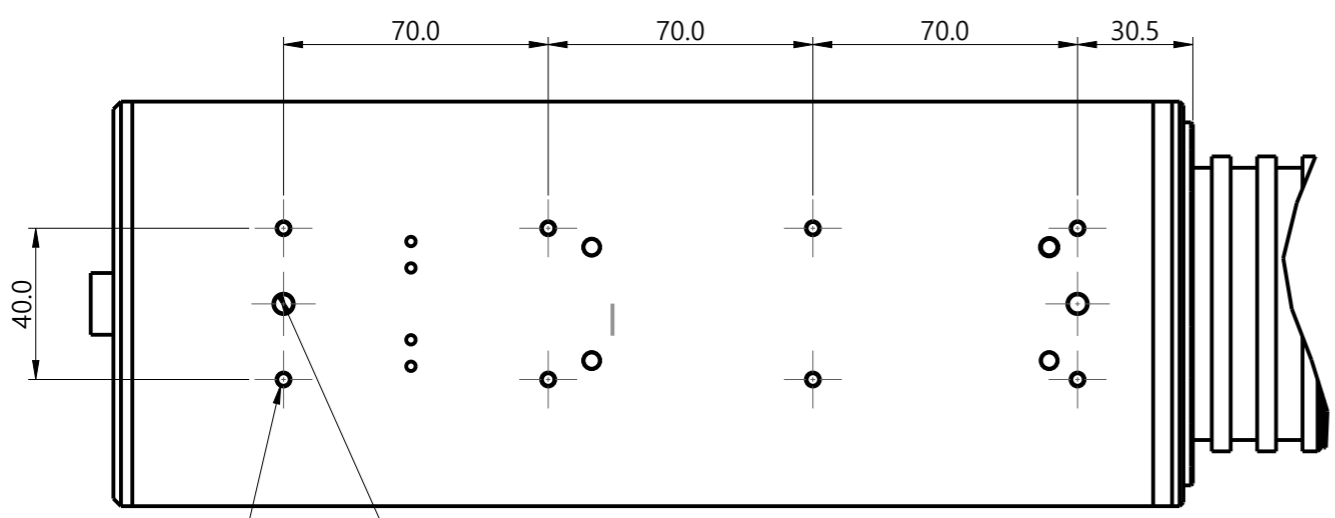
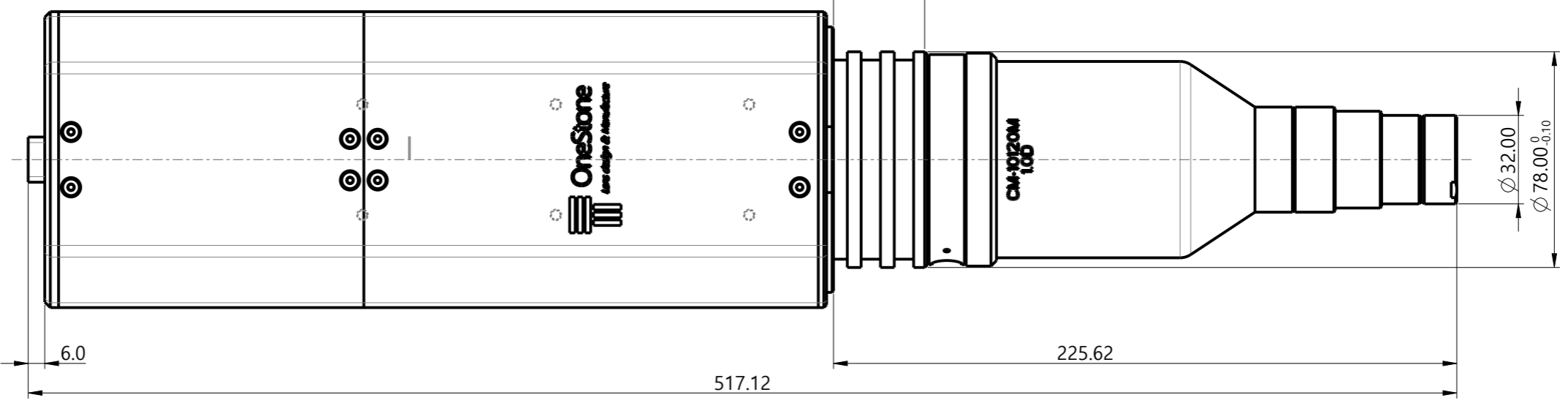
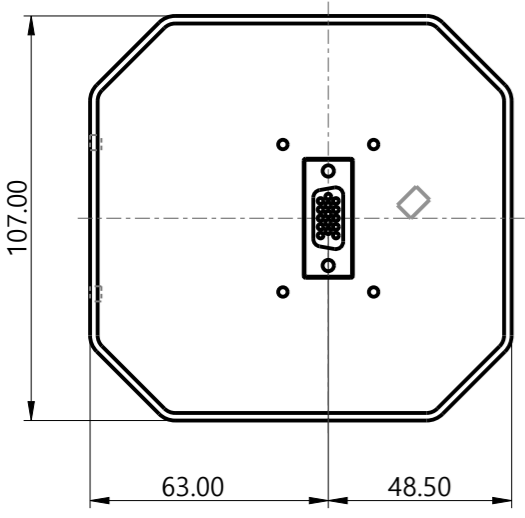



NO.	REVISION	REASON	DATE	SIGNED



8-M4 DP3.0
2 ϕ 5.0H7

[CL 고정부 / BOTTOM]

STD TOLERANCE	REV.	SCALE	UNIT	Q'TY	MATERIAL	REMARK
X.XX ±0.10	A0	1:2	mm	1		
X.XXX ±0.050						
ANGLE ±0.5°						

 OneStone <i>Lens design & Manufacture</i>	DRAWN		PART NAME	1.0D LAYOUT
	CHECKED		DRAWING NO.	TBD
	APPROVED		MODEL	CM-10120M